

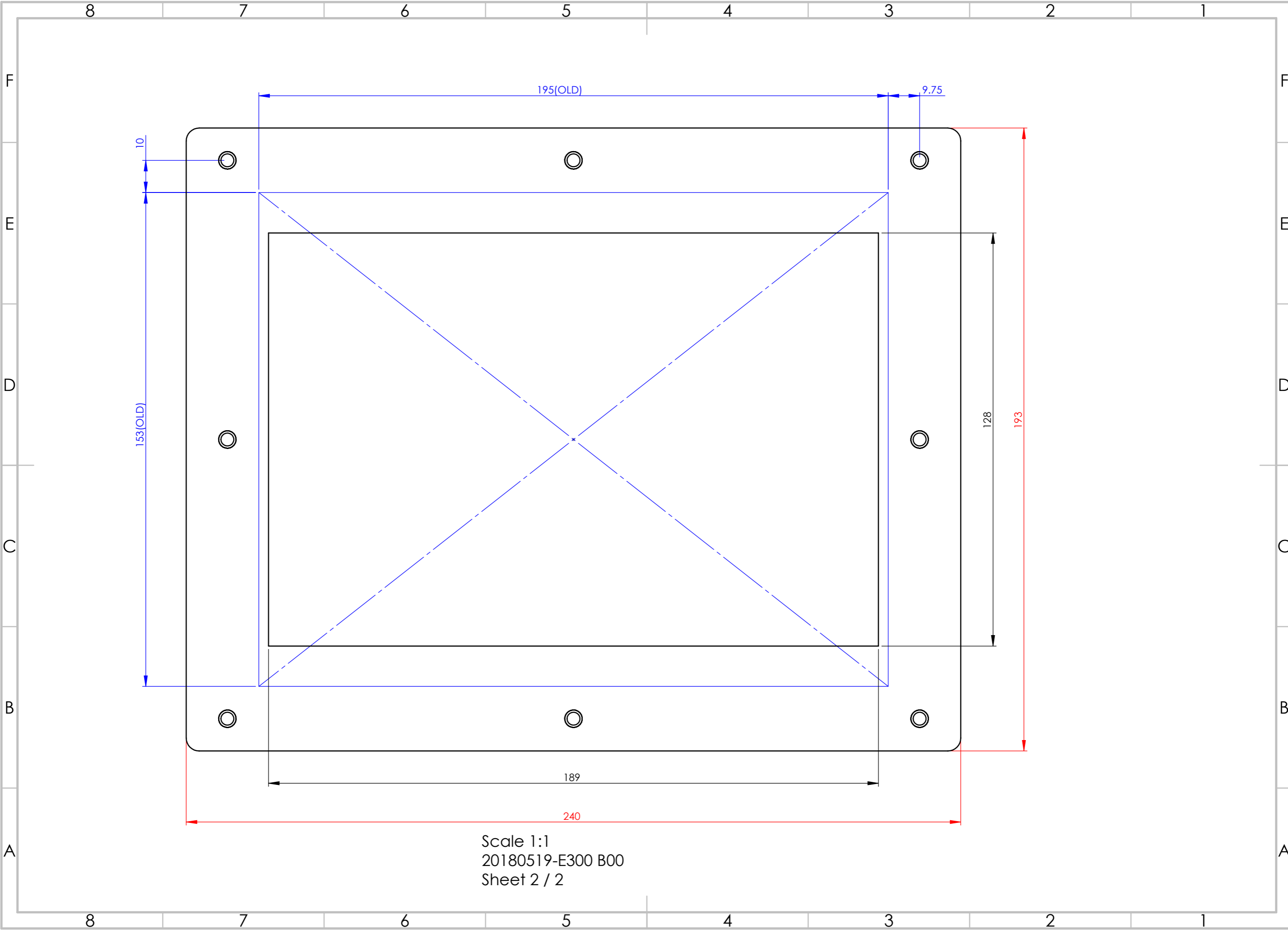
Scale 1:1  
Please see Page 2 / 2

**Note.**  
Standard nut M4 = 8 pcs.  
Lock washer M4 = 8 pcs  
put it in a separate zip bag in the package

ITEM NO.	PART NUMBER	DESCRIPTION	QTY.
1	From-E300	EG=2.0 m.	1
2	Gasket-E300	T=2.0 mm.	1
3	PEM FH-M4-12 X--N		8
4	1700000030	Nut M4	8
5	1721480160	Lock Washer M4	8
6	2200000504	Powder paint interpon 610 silver fine texture	0.01

All dimensions are in millimeter.

MATERIAL: - SURFACE TREATMENT:		THIS DRAWING REMAINS THE EXCLUSIVE PROPERTY OF THE GPV GROUP. IT SHALL NOT BE COPIED, REPRODUCED, DISCLOSED IN PART OR IN WHOLE, OR OTHERWISE MADE AVAILABLE TO THIRD PARTY WITHOUT OUR PREVIOUS WRITTEN CONSENT.
CUSTOMER: Beijer CUSTOMER/NO.: DESCRIPTION: Adaptor plate from E300 to X2 pro7		
DATE: 21/05/2018 RELEASED: SPW		Surface: mm <sup>2</sup> Weight: g. SCALE: 1:2 A3 CHECKED QC: [Signature] DATE:
GPV Item NO.: 20180519-E300 PROJECT NO.: N:\Mechanics\FED\Customers\Beijer Electronics\Drawg\Gpv\20180519-MXX\20180519-E300		



Scale 1:1  
20180519-E300 B00  
Sheet 2 / 2